

Introduction

At Heldon we continually seek to provide the best possible product solutions for our Customers. Therefore, we are proud to introduce the New Heldon-Blue range of UV-Stabilised Flexible Capillary Tubes.

Quite simply, the ultimate vibration resistant substitute for copper capillary lines.

Function

The Heldon-Blue Flexible Capillary Tube was designed to provide a smarter, stronger, long-term alternative to copper capillary lines.

Perfectly suited to replace the 1/4 " & 3/8 " OD copper lines that have been traditionally utilised to connect AC & R pressure controllers and oil return systems, etc.

Available in a range of convenient lengths, tube ID's, fitting types and connections sizes, Heldon's Flexible Capillary Tubes have all your needs covered.

Just install & Go!!



Suitable for all popular refrigerants (HFC, HCFC, CFC) including R410A and CO2 (not transcritical).

Features and Benefits

Features

The 3 layer hose consists of a seamless nylon tube, reinforced with a tough polyester braid, covered with a blue elastomer for maximum abrasion resistance.

UV tested to 1,000 hours (Accelerated exposure test to SAE J1960-2004). Fully Certified by an Independent Laboratory.

A Safe Working Pressure of 6,000 kPa (6 MPa) with a Minimum Burst Pressure of an impressive 26 MPa.

Premium zinc plated fittings have passed stringent 300 hour salt spray tests for corrosion free service.

Available in straight or elbow with 1/4", 3/8" and 1/2" FSAE connections

Tubing comes in 2.5mm ID, 5.1mm ID and 12.7mm ID.

Standard lengths available are 600mm, 900mm + 1200mm (2.5mm and 5.1mm ID only). Custom lengths made to order. 12.7mm ID tubing with 1/2" FSAE. Fittings are made to order. Note that 5.1mm ID tube gives you the choice of 1/4" or 3/8" FSAE connections.

Benefits

Permeability Leakage Rate of Class 1, (I.S. EN 1736:2008), Heldon-Blue gives you peace of mind with it's safe, reliable product. Tough as nails, it will outlast its competitors.

Totally UV-Stabilised, the Heldon-Blue range of Flexible Capillary Tubes can handle the harshest of Aussie outdoor conditions, unscathed.

Guaranteed to perform for years to come with all popular refrigerants including the High Pressure types.

Heldon premium fittings won't rust and will look great for their entire service life.

Pre-made lengths with a range of fittings, make installation a breeze. Choose the Flexible Capillary Tube that suits your application needs the best, ensuring a quality installation.

We have got what you need for the job! Our fittings have a larger internal bore than other brands, therefore offering less chance of a blockage or restriction.

Tube Construction



Tube

Part No.	Description
1150-2555-1	2.5mm ID x 5.5mm OD tube
1150-5188	5.1mm ID x 8.8mm OD tube
1150-1217	12.7mm ID x 17mm OD tube

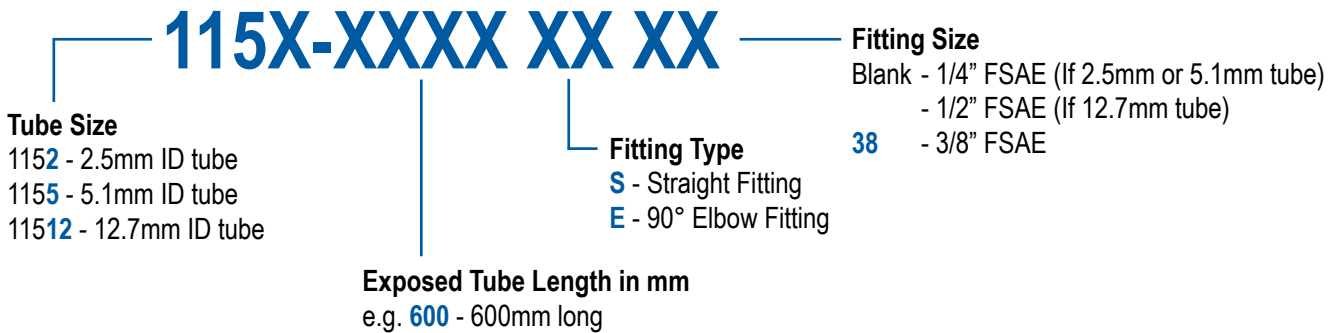


Fittings

Straight fittings	
Part No.	Description
1161-2504	2.5mm ID x 1/4" FSAE straight fitting
1161-5104	5.1mm ID x 1/4" FSAE straight fitting
1161-5106	5.1mm ID x 3/8" FSAE straight fitting
1161-12708	12.7mm ID x 1/2" FSAE straight fitting

Elbow fittings	
Part No.	Description
1171-2504	2.5mm ID x 1/4" FSAE elbow fitting
1171-5104	5.1mm ID x 1/4" FSAE elbow fitting
1171-5106	5.1mm ID x 3/8" FSAE elbow fitting
1171-12708	12.7mm ID x 1/2" FSAE elbow fitting

Nomenclature



Cross reference

The old style 2.5mm is simply replaced by the new style.
 The old style 3.6mm and 6.3mm are replaced by the new style 5.1mm FCT, as shown below;

Old Style 2.5mm	New Style 2.5mm	Old Style 3.6mm and 6.3mm	New Style 5.1mm
1152-6464-600	1152-600SS	1153-6464-600	1155-600SS
1152-6464-900	1152-900SS	1153-6464-900	1155-900SS
1152-6464-1200	1152-1200SS	1153-6666-600	1155-600SS38
1152-6474-600	1152-600SE	1156-6464-600	1155-600SS
1152-6474-900	1152-900SE	1156-6666-600	1155-600SS38
1152-6474-1200	1152-1200SE	1153-6474-600	1155-600SE
		1153-6474-900	1155-900SE
		1153-6676-600	1155-600SE38
		1156-6474-600	1155-600SE
		1156-6474-900	1155-900SE
		1156-6474-1200	1155-1200SE

Pre-made lengths



Straight fitting x Straight fitting		Length	Lay in Length Face to Face
Part No.	Description		
1152-600SS	2.5mm ID FCT, 1/4"FSAE straight x 1/4"FSAE straight	600	662
1152-900SS	2.5mm ID FCT, 1/4"FSAE straight x 1/4"FSAE straight	900	962
1152-1200SS	2.5mm ID FCT, 1/4"FSAE straight x 1/4"FSAE straight	1200	1262
1155-600SS	5.1mm ID FCT, 1/4"FSAE straight x 1/4"FSAE straight	600	676
1155-900SS	5.1mm ID FCT, 1/4"FSAE straight x 1/4"FSAE straight	900	976
1155-1200SS	5.1mm ID FCT, 1/4"FSAE straight x 1/4"FSAE straight	1200	1276
1155-600SS38	5.1mm ID FCT, 3/8"FSAE straight x 3/8"FSAE straight	600	676
1155-900SS38	5.1mm ID FCT, 3/8"FSAE straight x 3/8"FSAE straight	900	976
1155-1200SS38	5.1mm ID FCT, 3/8"FSAE straight x 3/8"FSAE straight	1200	1276



Straight fitting x 90° Elbow fitting		Length	Lay in Length Centre to Face
Part No.	Description		
1152-600SE	2.5mm ID FCT, 1/4"FSAE straight x 1/4"FSAE elbow	600	671
1152-900SE	2.5mm ID FCT, 1/4"FSAE straight x 1/4"FSAE elbow	900	971
1152-1200SE	2.5mm ID FCT, 1/4"FSAE straight x 1/4"FSAE elbow	1200	1271
1155-600SE	5.1mm ID FCT, 1/4"FSAE straight x 1/4"FSAE elbow	600	683
1155-900SE	5.1mm ID FCT, 1/4"FSAE straight x 1/4"FSAE elbow	900	983
1155-1200SE	5.1mm ID FCT, 1/4"FSAE straight x 1/4"FSAE elbow	1200	1283
1155-600SE38	5.1mm ID FCT, 3/8"FSAE straight x 3/8"FSAE elbow	600	686
1155-900SE38	5.1mm ID FCT, 3/8"FSAE straight x 3/8"FSAE elbow	900	986
1155-1200SE38	5.1mm ID FCT, 3/8"FSAE straight x 3/8"FSAE elbow	1200	1286



90° Elbow fitting x 90° Elbow fitting		Length	Lay in Length Centre to Centre
Part No.	Description		
1152-600EE	2.5mm ID FCT, 1/4"FSAE elbow x 1/4"FSAE elbow	600	680
1152-900EE	2.5mm ID FCT, 1/4"FSAE elbow x 1/4"FSAE elbow	900	980
1152-1200EE	2.5mm ID FCT, 1/4"FSAE elbow x 1/4"FSAE elbow	1200	1280
1155-600EE	5.1mm ID FCT, 1/4"FSAE elbow x 1/4"FSAE elbow	600	690
1155-900EE	5.1mm ID FCT, 1/4"FSAE elbow x 1/4"FSAE elbow	900	990
1155-1200EE	5.1mm ID FCT, 1/4"FSAE elbow x 1/4"FSAE elbow	1200	1290
1155-600EE38	5.1mm ID FCT, 3/8"FSAE elbow x 3/8"FSAE elbow	600	696
1155-900EE38	5.1mm ID FCT, 3/8"FSAE elbow x 3/8"FSAE elbow	900	996
1155-1200EE38	5.1mm ID FCT, 3/8"FSAE elbow x 3/8"FSAE elbow	1200	1296

Other lengths can be made on request
12.7mm tube supplied on a made to order basis.