

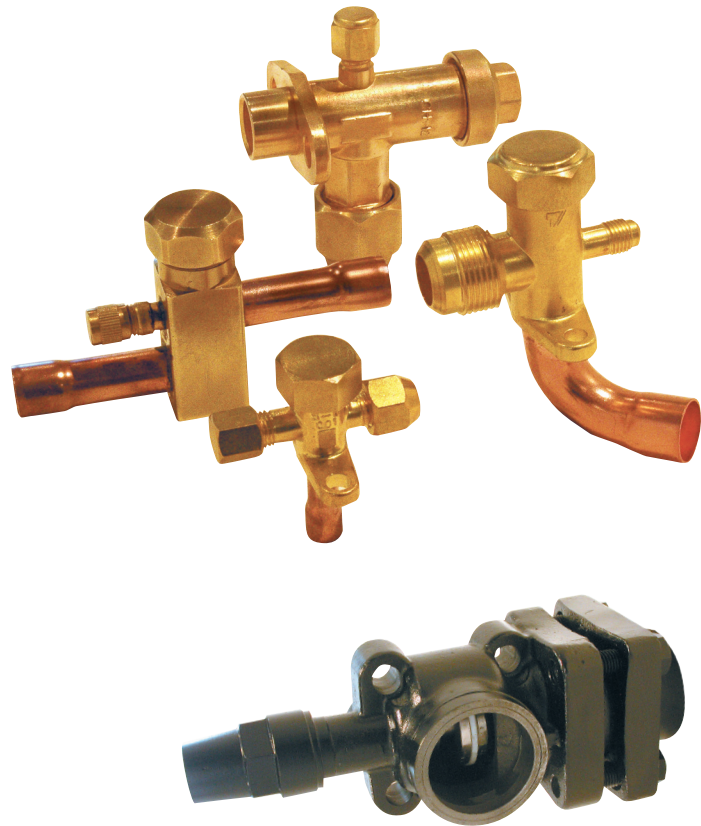
## Introduction

Service valves are used in refrigeration and air-conditioning systems to allow a manufacturer to seal a section of a unit for shipping as well as the safe servicing of the unit once installed.

Heldon Service Valves offer optimum flow characteristic and positive shutoff that both front and backseat. The Heldon / Mueller range are specially engineered to maximise the body chamber and optimise flow while minimising intrusion of the seat and stem mechanism in the back seat position, thereby reducing pressure drop.

The brass bodies are forged or machined with copper extensions and all valves feature an isolatable access port. Available in a straight through offset square body version that has a tapped base for mounting and a right angle flange mount. These valves can be made to order in special configurations based on quantity.

Mueller cast iron service /compressor valves offer the complete isolation and high flow rates. They feature a specially designed valve plate mechanism for screw compressors that has eliminated the issues faced by other valve manufactures.



## Features

Designed for maximum flow and minimal pressure drop.  
Strong forged brass body.  
Integral mounting bracket.  
Available as made to order for OEM's.  
Safe working pressure in excess of 4,200 kpa  
(R-410a compatible)  
Mueller valve plate mechanism.  
Complete with flange, bolts and brass spigot  
and gasket

Compatible with all fluorinated refrigerants and Oils.  
Safe to use with screw compressors.  
Complete kit for easy installation.

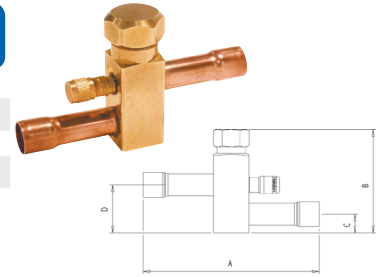
## Manufacturing Standards

Manufactured in accordance with AS / NZ 1677.2  
Safe Working Pressure: 4,200 kPa

### Square Body Service Valve

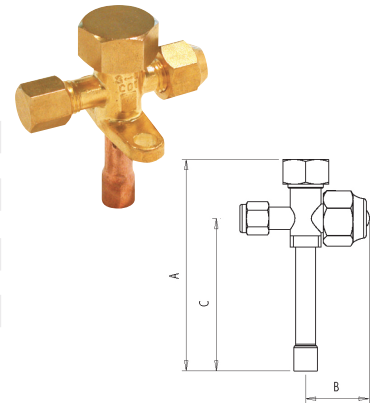
Solder	Connection	A	B	C
2242T-0606C	3/8 MSAE	120	52	9
2242T-0808	1/2 MSAE	128	75	15
2242T-1010C	5/8 MSAE	120	78	16
2242T-1212	3/4 MSAE	120	84	16
2242R-1414C	7/8 MSAE	120	86	16

Note: The Letters T & R indicate position of access valve - T=Top R=Right



### A/C OEM Service Valve (copper ext)

Male SAE to Access Valve	Connection	A	B	C
2240-0404A1	1/4 MSAE x 1/4 SWEAT x NO SCHR	96	72	-
2240-0404	1/4 MSAE x 1/4 SWEAT x SCHR	96	72	72
2240-0406	1/4 MSAE x 3/8 SWEAT x NO SCHR	96	72	-
2240-0606	3/8 MSAE x 3/8 SWEAT x SCHR	67	45	45
2240-0606-410A	3/8 MSAE x 3/8 SWEAT x SCHR-410A	67	39	39
2240-0808	1/2 MSAE x 1/2 SWEAT x SCHR	107	75	73
2240-0808-410A	1/2 MSAE x 1/2 SWEAT x SCHR-410A	100	67	65
2240-1010	5/8 MSAE x 5/8 SWEAT x SCHR	110	77	77
2240-1212	3/4 MSAE x 3/4 SWEAT x SCHR	125	85	85



### Brass Service Valve Caps with Copper Washer

760-0404	SUIT 1/4" Valve
760-0608	SUIT 3/8" & 1/2" Valve
760-1012	SUIT 5/8" & 3/4" Valve

### Plastic Service Valve Caps Black Plastic with O-Ring

760-2600-1	Rotalock valve plastic cap 20 x 1.5 - small
760-2600-2	Rotalock valve plastic cap 22 x 1.5 - medium
760-2600-3	Rotalock valve plastic cap 24 x 1.5 - large

### Plastic SAE Caps

751-04	1/4" cap with heldoprene seat
751-06	3/8" cap with heldoprene seat
751-08	1/2" cap with heldoprene seat
751-10	5/8" cap with heldoprene seat
751-12	3/4" cap with heldoprene seat

### Cast Iron Service Valve Four bolt flange mount

c/w Flange	Connection
2242-7026	Flange - 2-3/4 OD / 2-1/4 ID x 1-5/8 Outlet
2242-8034	Flange - 3-7/32 OD / 2-17/32 ID x 2-1/8 Outlet

