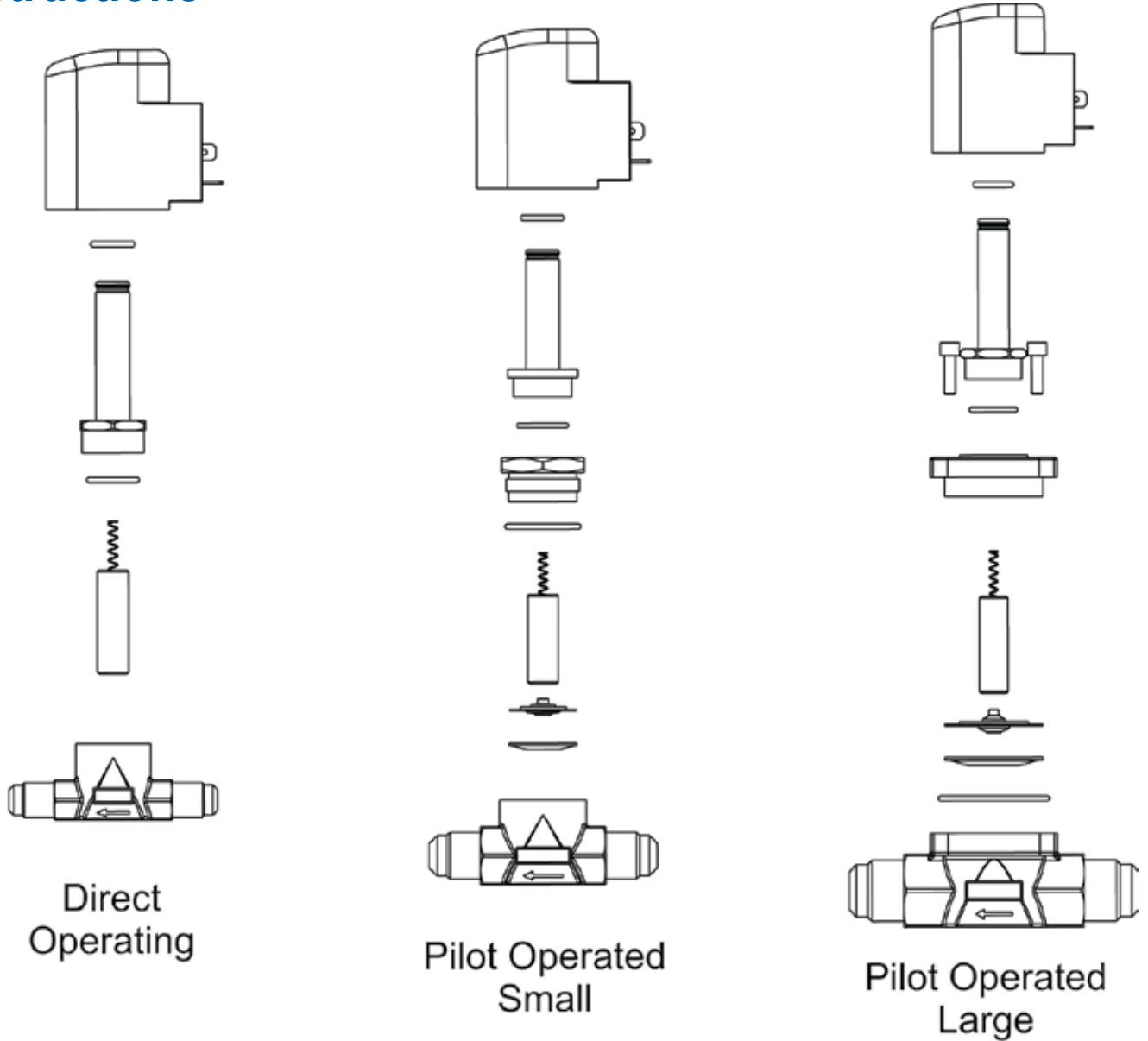
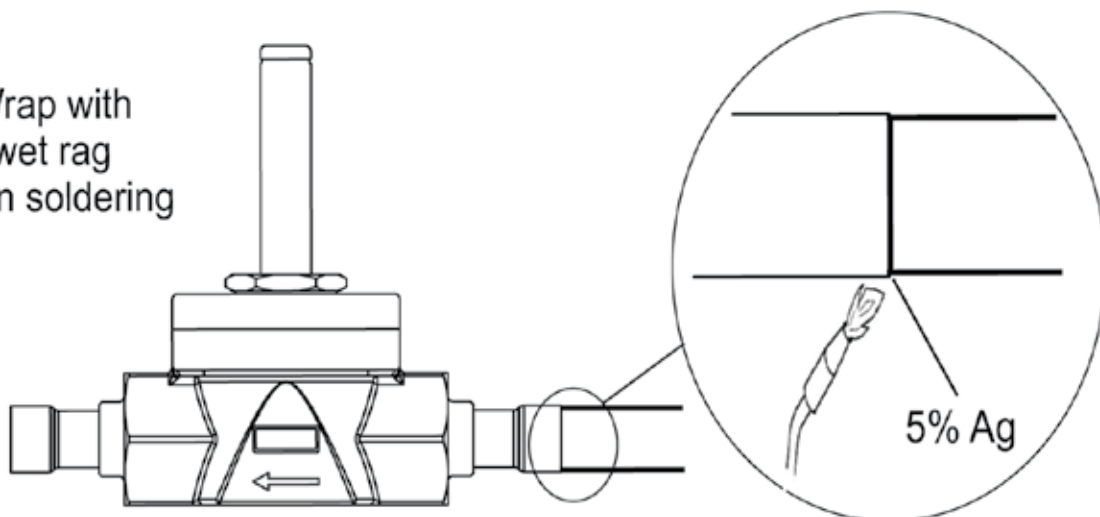
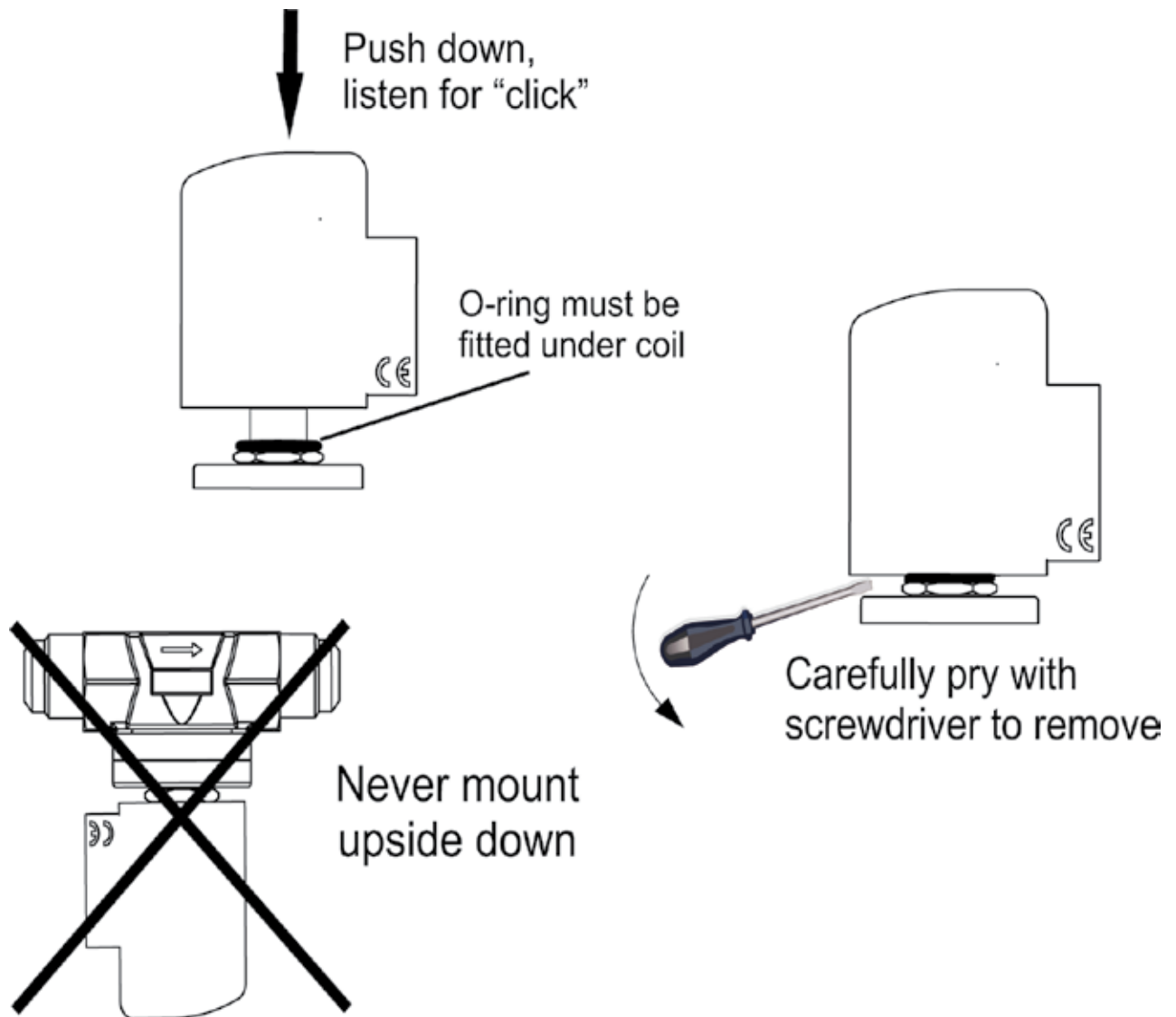


Instructions



Wrap with wet rag when soldering





Before operating valves, please ensure the following;

1. Valve is free from dirt and other particles, that can damage o-rings and valve seat.
2. Valve is mounted in the correct direction, relating to the arrow on valve body.
3. O-ring must be fitted beneath coil.